

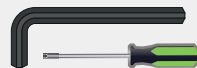
elite

office furniture uk ltd

www.elite-furniture.co.uk

☎... **Helpline** 01405 746000

Tools Required



3mm Allen Key
or Hex' Screwdriver

Range

Dividing Screens

Style

Desk High/Floor Standing

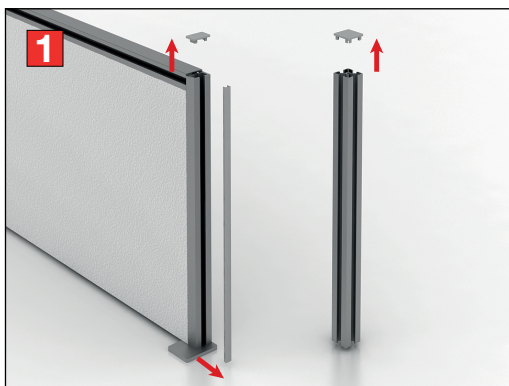


Before Assembly
Please Read This
Leaflet

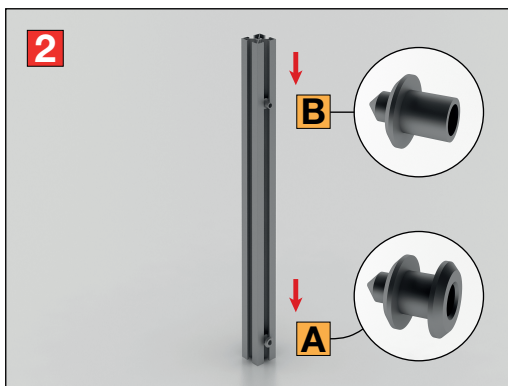


1 Person Assembly

Assembly Instructions

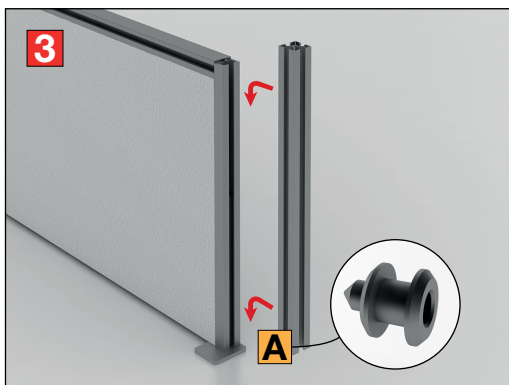


1. Remove the top cap & the infill extrusion from the screen & the link post.

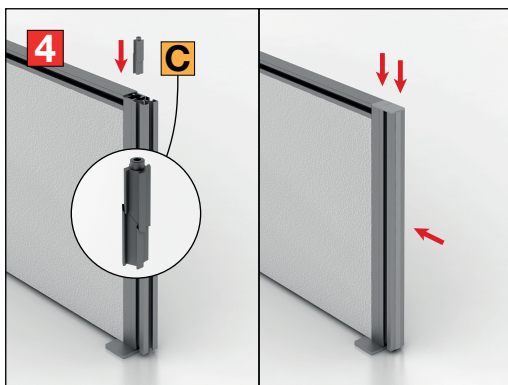


2. Position the bottom link connector (A) near the base of the link post & secure.

Place the top stop nut (B) 70mm down from the top of the link post & secure.



3. Guide the link post via the bottom link connector (A) down screen end post.



4. Secure the top link (C) ensuring that the screen or link post are aligned.

Finally replace the top caps & vertical infill extrusions to any exposed ends.